

RE-102

2 IDC'S FIRE ALARM CONTROL PANEL

General

The conventional panel is a right blend of affordable design and quality with latest technology for fire alarm control panels. This microprocessor based conventional Fire Alarm Control panels designed to be used in for small size commercial buildings and small scale industries. 2 IDC's control panel is an user friendly with LCD display and LED indications. Lock and key access is provided for authentication and also with optional zone wise Sounder/Contact respectively.



Special Features

- Modular Construction, Serviceable.
- Surface Mount Technology.
- Battery polarity & deep discharge protection.
- Programmable Keypad lock.

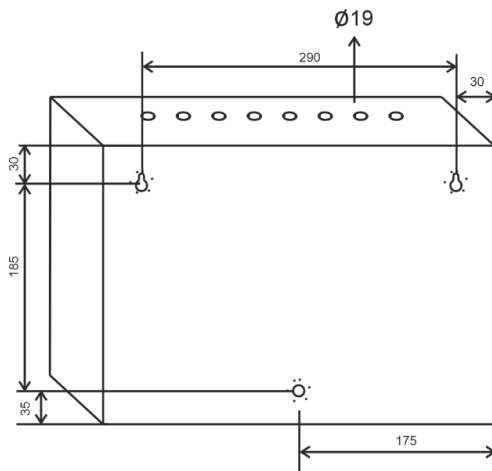
Features

- CE Approved.
- 16 X 2 Dot Matrix LCD Display.
- Standby battery backup with built in charging.
- Fire / Fault status in unambiguous colored LED indication.
- Switch Mode Power Supply.
- Tactile Keypad for easy panel operation.
- System ON indication.
- Main, Standby status indication.
- Low Battery visual warning with audible tone.
- Relay output for actuators, for Fire and Fault.
- Lamp Test facility.
- Zone wise one man Walk Test Facility.
- Zone wise Isolation facility with loop voltage cut off.
- Optional Zone Wise Sounder / Zone Wise Contact.

Specification

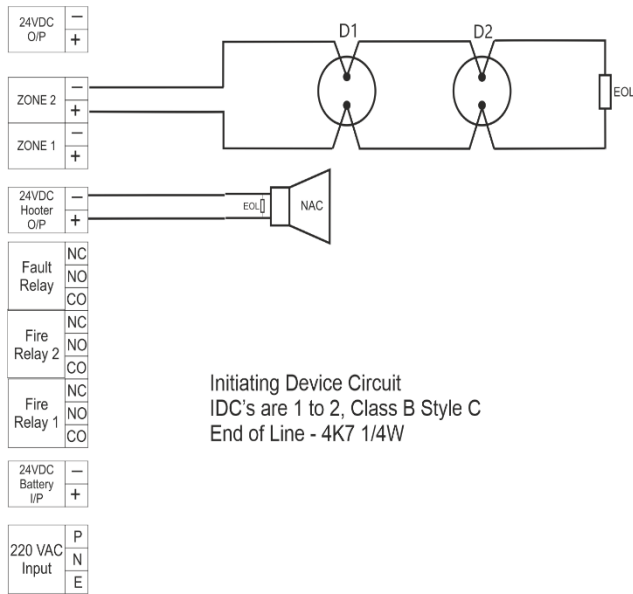
Electrical Specification		
Primary Power	120 / 220VAC + 10% -15%, 60 / 50 Hz. 60W	
Standby Power	24VDC (2 Nos of 12V, 7Ah Sealed Lead acid battery)	
Operating Condition	Operating Temperature 0 – 49° C / 32 – 120° F. Storage Temperature 0 – 60° C Relative Humidity 93 ± 2% RH (non-condensing) at 32 ± 2° C / 90 ± 3° F	
Quiescent Current	55 mA.	
Charging Circuit	Charging voltage 28 V, ± 2% Charging current 0.5A (max)	
Notification Appliance Circuits	Wiring style	Class B
	Quantity	1 No.
	Operating voltage	24VDC nominal
	Current	0.6A
	EOL resistor	4K7, ¼ watt
Relays	Type	Form C
	Quantity	3 No's (2 Fire & 1 Fault)
	Relay contact rating	2Amps @ 30 VDC; 0.5A @ 125 VAC
	Power factor	1.0
Initiating Device Circuits	Wiring style	Class B
	Quantity	2 No's
	Normal operating voltage	14 – 21 VDC
	Alarm current	15 – 30 mA
	Short circuit current	42 mA (max)
	Loop resistance	50 Ω (max)
	EOL Resistor	4K7, ¼ watt
	Standby current	6.8 mA (2.4 mA for detectors)
Mechanical Specification		
Dimensions	(350W X 250H X 100D) mm	
Color	Red / White	
Construction	18 Gauge (1.22mm) CRCA sheet with powder-coated finish	
IP Rating	IP50	
Cable Entry	8xØ19mm Knockout on top of the cabinet	

Dimensions



Note:- All Dimensions are in mm

Wiring Configuration



Compatible Devices

Models	Description
<i>RE-316S-2L</i>	Conventional Photoelectric Smoke detector with base.
<i>RE-316H-2L</i>	Conventional Heat detector with base.
<i>RE-316SH-2L</i>	Conventional Multi sensor detector with base
<i>RE-716 MR</i>	Conventional Manual Call Point.
<i>RE- 24 CS</i>	Conventional Sounder / Horn.
<i>RE-25SS</i>	Conventional Sounder / Horn cum Strobe.
<i>RE-716SO</i>	Sounder
<i>RE-716SS</i>	Sounder cum Strobe
<i>RE-716P1T</i>	Single Action Manual Pull station
<i>RE-716P1TLP(R)</i>	Dual Action Manual Pull Station
<i>RE-RI</i>	Response Indicator.
<i>RE-364BS</i>	Conventional Sounder Base

Ordering Information

Models	Description
RE-102	Conventional 2 IDC's Fire Alarm Control Panel.

Note:

W- White Colour

R – Red Colour

India

RAVEL ELECTRONICS PVT LTD.,
150A, Electronics Industrial Estate,
Perungudi, Chennai – 96, India.
E-mail: sales@ravelfire.com; Web: www.ravelfire.com

UAE

RAVEL DMCC,
Unit No: G30, DMCC Business Center,
Level No 13, AG Tower, Dubai, UAE.
E-mail: sales@raveldmcc.com

USA

RAVEL AMERICAS INC.,
2855 NW 112th Ave ST#2 Miami,
Doral, Florida 33172, USA.
E-mail: sales.us@ravelfire.com