

RE-2558

8 IDC's FIRE ALARM CONTROL PANEL

General

This is an UL Listed Microprocessor based conventional Fire Alarm Control Panel which has 8 Zones . These control panels are designed to be used in small and medium sized commercial complexes, buildings, hotels, schools, and industrial establishments. They are compatible with conventional detectors, manual pull stations and normally open dry contact devices.



Special Features

- Switched Mode Power Supply.
- Modular Construction.
- Auto Resettable Fuse.
- Surge Protection for all Input and outputs.
- Battery polarity reversible protection.
- Surface Mount Technology.
- Over all current consumption is low.

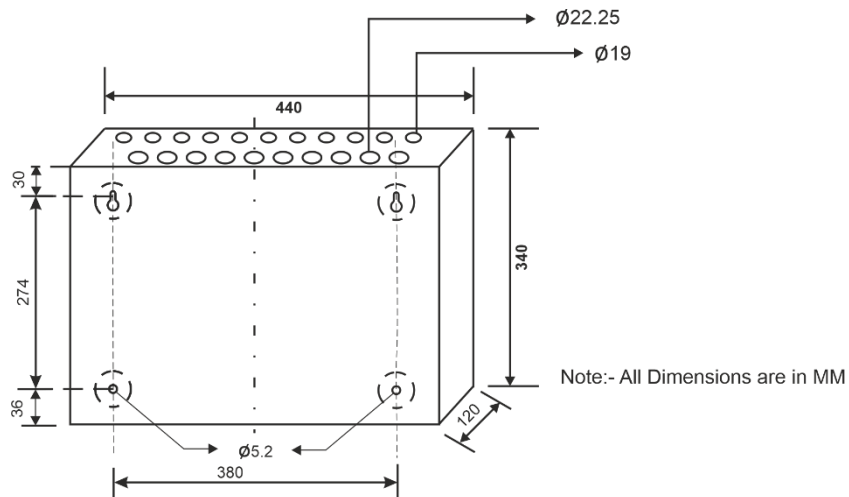
Features

- UL Listed and complies NFPA-72.
- Rugged CRCA sheet with powder coated finish.
- Operates on 110 - 220VAC 50 /60 Hz, AC mains power supply.
- 16x2 Dot Matrix LCD display.
- 4/8 Class B Style 'B ' or Style 'C' Initiating Device Circuit (IDC).
- All zones accept smoke detectors and normal open contact devices.
- Any zone can be configured as alarm or supervisory zone.
- 2 Class B Notification Appliance Circuits (NAC).
- NAC shall be programmed as silenceable or non-silenceable.
- Supervisory zone shall be latching or resettable.
- Standby (battery) backup 24VDC power supply with built in charger.
- Error free Fire / Fault status in unambiguous colored LED indication.
- System ON indication.
- Main & Standby status with audible and visual indication.
- Battery low visual warning with audible tone.
- Form C relays for fire, fault and supervisory.
- Resettable / Steady 24VDC Output.
- RS 485 Communication facility (Optional).
- Lamp test facility.
- All field wiring circuits are power limited except 110-220VAC and battery.
- All field wiring circuits are supervised.
- Walk test facility.
- Zone isolation facility with loop voltage cut off.
- Earth fault annunciation facility at 0 ohms.
- AC low voltage cutoff.
- Programmable AC loss delay.
- Programmable alarm verification.
- Programmable trouble reminder.

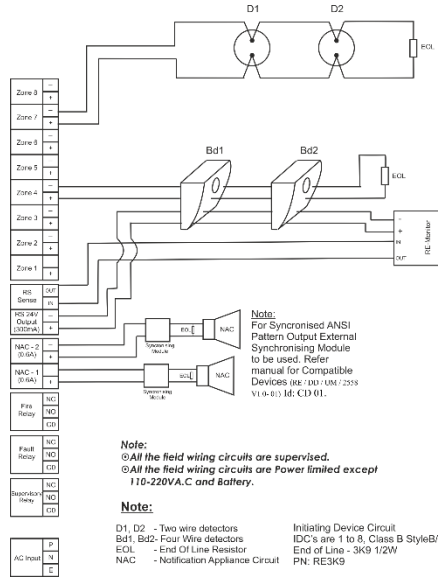
Specification

Electrical Specification		
Primary Power	110 - 220VAC + 10% -15%, 50 Hz, 100W.	
Standby Power	24VDC (2 Nos of 12V, 12Ah Sealed Lead acid battery). Quiescent current: 120mA	
Operating Condition	Operating temperature: 0 – 49° C / 32 – 120° F Storage Temperature: 0 ° C to 60 ° C Relative humidity: 93 ± 2% RH (non-condensing) at 32 ± 2° C / 90 ± 3° F	
Charging Circuit	Charging voltage: 28 V, ± 2% nominal Charging current: 800mA (max)	
Notification Appliance Circuits	Wiring style	Class B, Style Y
	Operating Nominal Voltage	24 VDC Nominal
	Current for all NACs	1.2Amps (0.6A per circuit)
	Line drop	1.8V
	EOL resistor	3K9, ½ watt
DC Output	Supervised 24VDC regulated, 300mA Max.	
Relays	Type	Form C
	No of Relays	3
	Relay contact rating	2A @ 30 VDC, 0.5A @ 125 VAC
	Power factor	1.0
Initiating Device Circuits	Wiring style	Class B, Style B/C
	Normal operating voltage	14 – 21 VDC
	Alarm current	15 – 30 mA
	Short circuit current	45 mA (max)
	Loop resistance	100 Ω (max)
	EOL Resistor	3K9, ½ watt
	Standby current	7 mA (2 mA for detectors)
Mechanical Specification		
Dimensions	(440 W x 340 H x 120 D) mm	
Color	White / Red	
Construction	18 Gauge (1.22mm) CRCA sheet with powder-coated finish.	
IP Rating	IP50	
Cable Entry	11xØ19mm Knockout on top of the cabinet.	
	10xØ22.25mm Knockout on top of the cabinet.	

Dimensions



Wiring Configuration



Compatible Devices

Models	Description
RE-316S-2L	Conventional Photoelectric Smoke detector with base.
RE-316H-2L	Conventional Heat detector with base.
RE-316SH-2L	Conventional Multi sensor detector with base
RE-314	Common base for above
RE-716MR	MCP Red
RE-24CS	Conventional Sounder
RE-25SS	Conventional Sounder cum strobe
RE-716SO	UL Listed Conventional Sounder
RE-716SS	UL Listed Convnetional Sounder cum Strobe
RE-716P1T	UL listed Single Action Manual Pull station
RE-716P1TLP(R)	UL Listed Dual Action Manual Pull Station
RE-Monitor	24VDC Output for Monitor Module
RE-3K9	UL Listed End of Line Resistor

Ordering Information

Model	Zones
RE-2558	Conventional 8 IDC's Fire Alarm Control Panel.

Note:

W- White Colour

R – Red Colour

India

RAVEL ELECTRONICS PVT LTD.,
 150A, Electronics Industrial Estate,
 Perungudi, Chennai – 96, India.
 E-mail: sales@ravelfire.com; Web: www.ravelfire.com

UAE

RAVEL DMCC,
 Unit No: G30, DMCC Business Center,
 Level No 13, AG Tower, Dubai, UAE.
 E-mail: sales@raveldmcc.com

USA

RAVEL AMERICAS INC.,
 2855 NW 112th Ave ST#2 Miami,
 Doral, Florida 33172, USA.
 E-mail: sales.us@ravelfire.com