

# RE-PS5

## NAC Extender / Power Supply Panel

### General

The Power Supply unit is designed in such a way that it meets UL86410<sup>th</sup> edition power limiting requirements and RE-PS5 shall be connected to any fire alarm control panel for 24VDC output. The Extended NAC power supply RE-PS5 is equipped with 2 No's of NAC outputs and 2 No's of 24VDC outputs. These NAC outputs shall be activated with respect to the NAC Follower Input or RS485 Input and NAC follower has the high priority. Each NAC & 24VDC output in power supply RE-PS5 shall provide 24VDC @ 1.0 Amps maximum current.

The RE-PS5 is compact and cost-effective Power Supply within built charger. It provides power capabilities of existing notification appliance circuits and for other ancillary devices.

The RS485 communication is compatible only for the addressable Fire Alarm Control Panel AARAL X4 & AARAL X8.

### Features

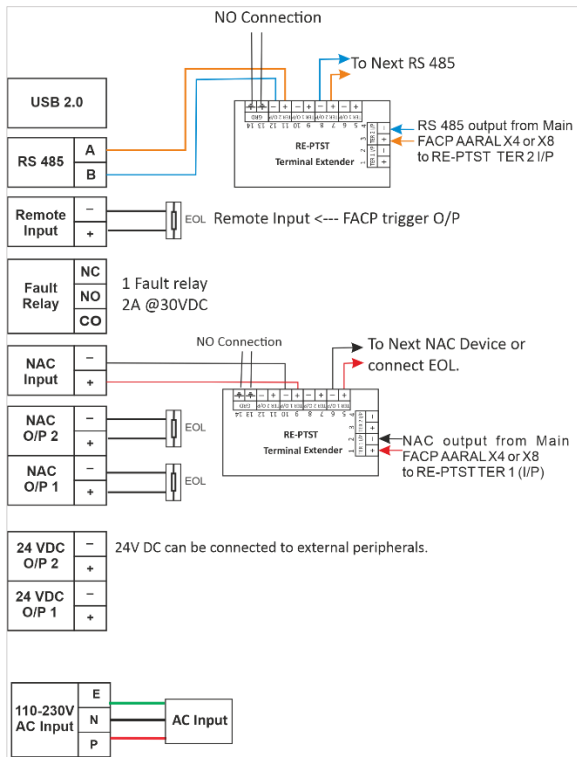
- Listed to UL 864 10<sup>th</sup> edition.
- Operates on 110 – 230 VAC.
- System ON, Mains and standby status indication.
- Standby battery backup with built in charging.
- One remote alarm input.
- One Form-C Common fault relay.
- 2 No's of 24VDC output with short circuit protection.
- 2 No's of NAC output with short circuit protection.
- AC Loss Delay facility.
- Auto Silence facility.
- Trouble Reminder facility.
- All field wiring is power limited and supervised except battery and AC Input.
- Inbuilt Keys for Acknowledge & Restart.
- Ground fault detection facility @ 0 Ohms.
- Inbuilt RS 485 Bus communication.
- Addressing by 8 way DIP switch.
- System(field) Configurations using 8 way DIP switch.



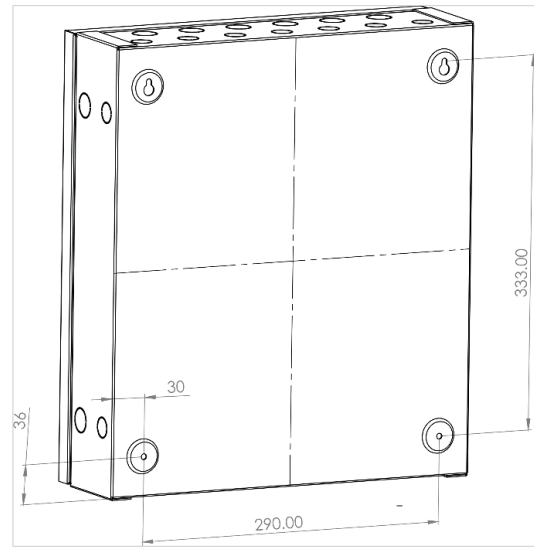
# Specification

Electrical Specification	
<b>Mains Power</b>	110 - 230 VAC, 60/50Hz
<b>Standby Power</b>	24V DC (2 Nos of 12V, 65Ah (Max)) Sealed Lead acid battery Panel enclosure can house up to 7Ah and for larger batteries UL listed battery box should be used with in three meters from the panel.
<b>Charging circuit</b>	Charging Voltage 28 VDC Charging current 4.3 A Charging Capacity 65 Ah
<b>Operating Condition</b>	Operating Temperature 0°C - 49°C / 32 - 120°F Storage Temperature 0 – 60°C Relative Humidity 93 ± 2% RH (non-condensing)
<b>Total Power Output</b>	300W @ 230 VAC; 250W 110 VAC.
<b>Fault Relay</b>	Quantity 1 No Type Form C Contact Rating 2A @30VDC Power Factor 1.0
<b>NAC Follower Input</b>	Quantity 1 No Wiring Style Class B Normal Operating Voltage 16-33VDC Signal trigger current 5mA Max from FACP
<b>Remote Input</b>	Quantity 1 No Wiring Style Class B Normal Operating Voltage 4 – 8 VDC Signal trigger current 3 mA (max) Loop resistance 40 Ω (max) EOL 4K7, ½ watt
<b>NAC Output</b>	Quantity 2 Voltage Regulated 24 VDC Line Drop 1.6 V Total Current 2.0 Max (1.0A each). EOL 4K7 ½W
<b>24VDC Output</b>	Quantity 2 Wirng Style Class B Total Current 2.0 Max (1.0A each). Voltage 24 VDC
<b>RS485 Networking</b>	Circuit Length 1200m Wire Type Shielded twisted pair cable
<b>Wire Size</b>	2.5 Sq mm (#12 AWG) Max
Mechanical Specification	
<b>Dimension</b>	400 W x 350 L x 102 D ( mm)
<b>Weight</b>	8 Kg Max
<b>IP Rating</b>	IP50

# Terminal Detail

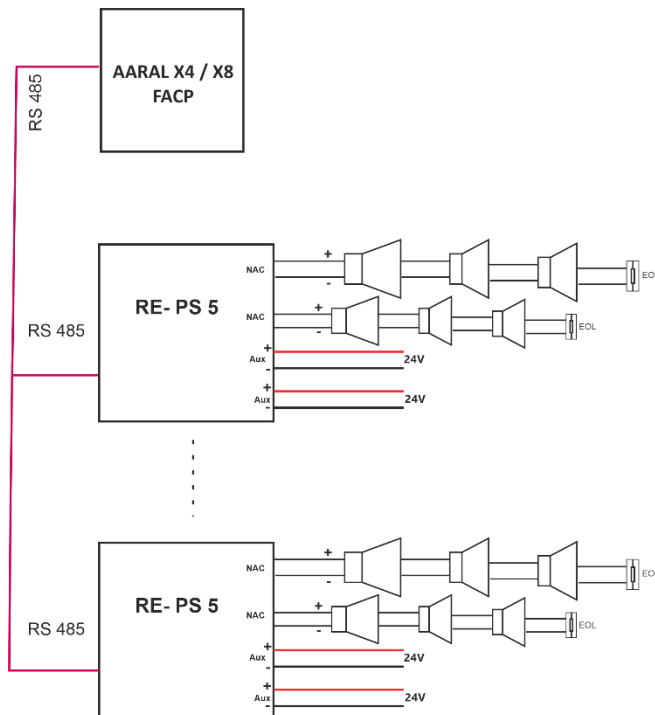


# Dimension

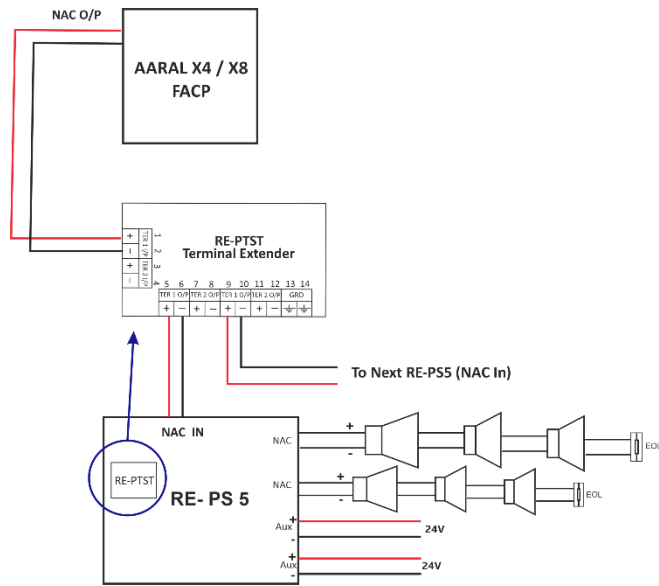


# Topology

RE – PS5 as RS 485 Input



RE – PS5 as NAC follower.



## Compatible Panel

Model	Description
Aaral X4	Analogue Addressable Fire Alarm Control Panel expandable upto 4 loops
Aaral X8	Analogue Addressable Fire Alarm Control Panel expandable upto 8 loops
Avani	Analogue Addressable Fire Alarm Control Panel expandable upto 4 loops

## Ordering Information

Model	Description
RE-PS5	NAC Extender / Power Supply Panel
Accessories / Replacement	
PS-NPMB	NAC Extender Power supply Mother Board Kit
PS-PSDB	NAC Extender Display Board Kit
PS-P5PS	NAC Extender Power supply Board Kit
PS-PTST	NAC Extender Terminal Extender

### India

RAVEL ELECTRONICS PVT LTD.,  
150A, Electronics Industrial Estate,  
Perungudi, Chennai – 96, India.  
E-mail: [marketing@ravelfire.com](mailto:marketing@ravelfire.com); Web: [www.ravelfire.com](http://www.ravelfire.com)

### UAE

RAVEL DMCC,  
Unit No: G30, DMCC Business Center,  
Level No 13, AG Tower, Dubai, UAE.  
E-mail: [sales@raveldmcc.com](mailto:sales@raveldmcc.com)

### USA

RAVEL AMERICAS INC.,  
2855 NW 112<sup>th</sup> Ave ST#2 Miami,  
Doral, Florida 33172, USA.